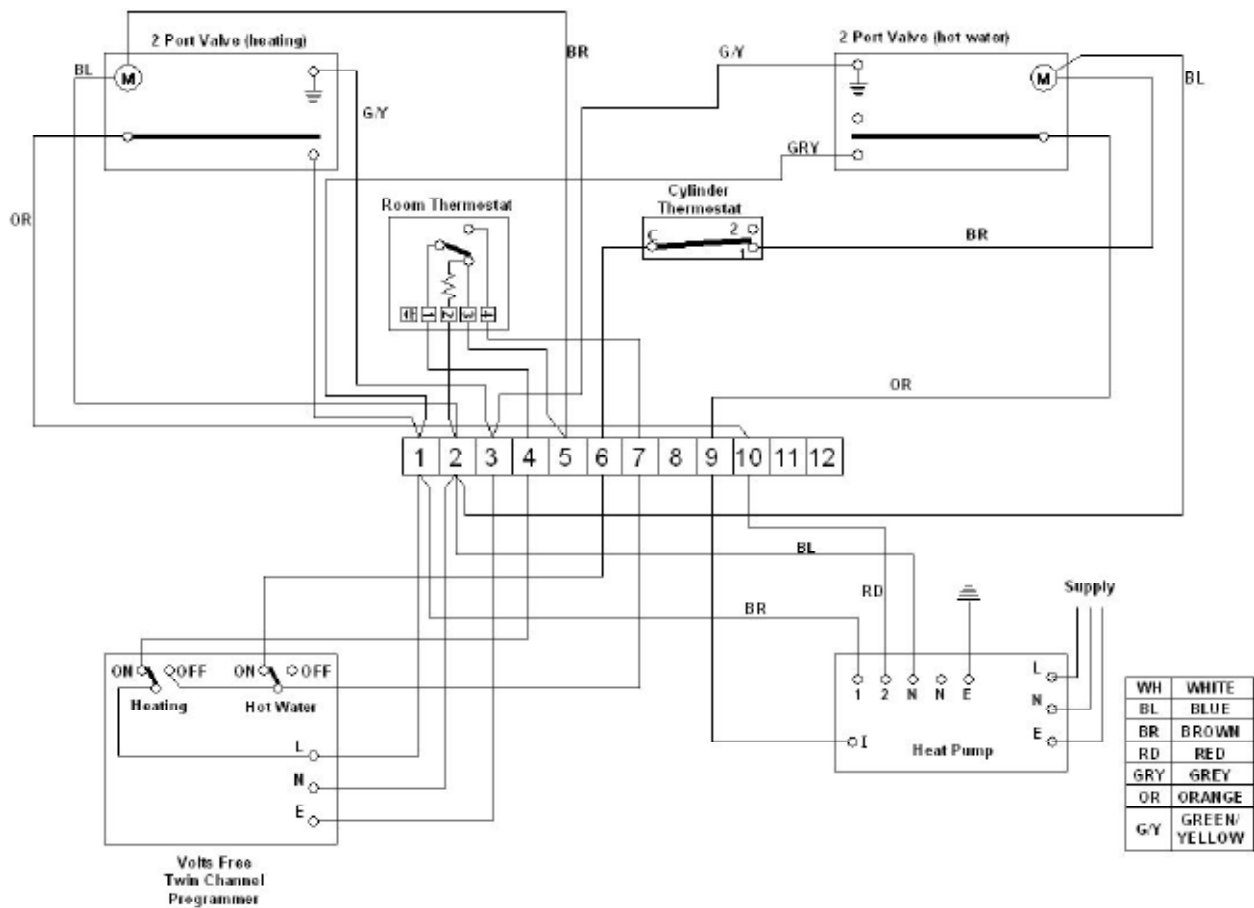


Wiring Diagram: Heat Pumps fitted with 2nd Set Point DHW Kit Central Heating and Hot Water with Priority given to central heating



Variable Set point Kit

The variable set point allows a second temperature set point to be set, this allows the Heat pump to run at a higher temperature for DHW and a lower temperature for the central heating.

Or

Use the lower temperature for under floor heating and the higher temperature for a radiator circuit [note if both circuits can operate at the same times the under floor must be fitted with a temperature control mixing circuit]

IMPORTANT

Call signal for the central heating must be wired into terminal 2 [lower set point temperature]

Call signal for Domestic hot water must be wired into terminal 1 [Higher set point temperature]

This will ensure that when there is a call for the higher flow temperature DHW the unit will operate to the higher temperature setting [2nd set point]

Refer to variable set point kit instructions for set up details