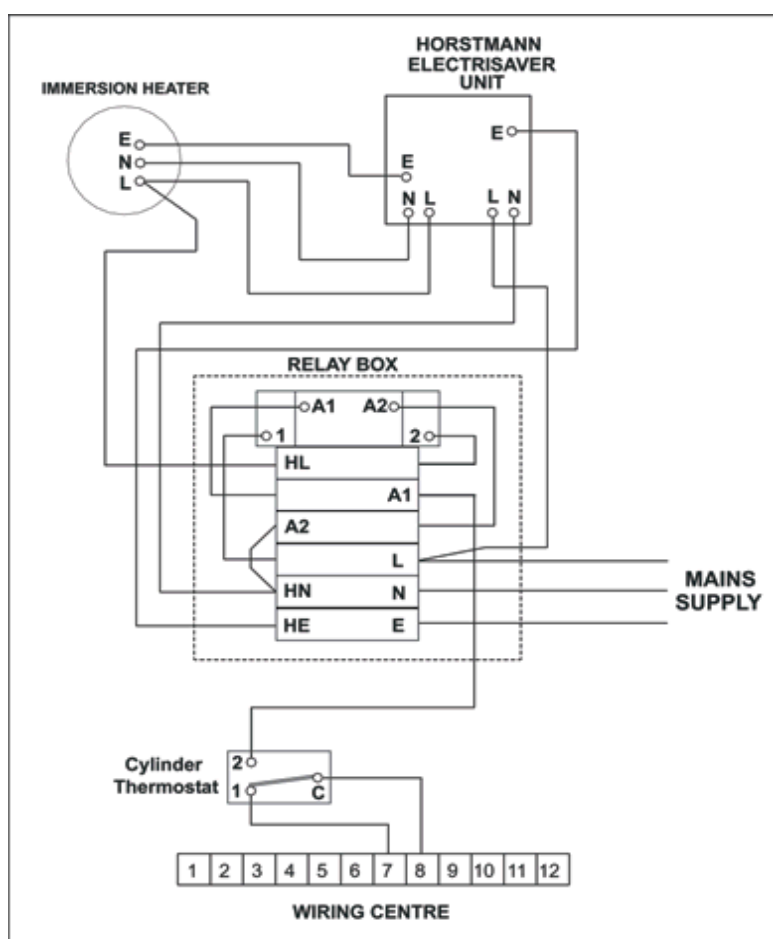


HeatKing Controls Specification: Immersion Heater Control using Relay Box and Horstmann Electrisaver Unit

Controls :

Suppliers	Description	Qty
Part No		
70400217	HeatKing Relay Box (supplied by HeatKing)	1
ELECTRISAVER	Horstmann Electrisaver (either E15 or E30)	1



IMPORTANT:

The cylinder thermostat must be set at a temperature that the heat pump can satisfy this will allow the immersion heater to turn on.