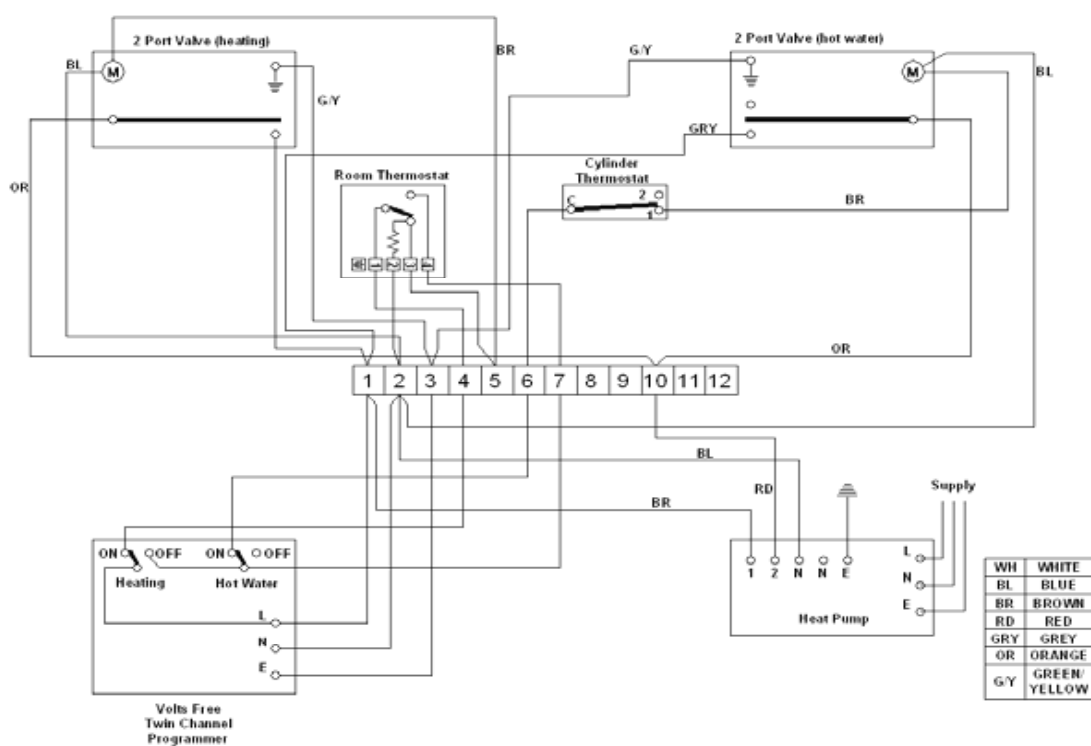


HeatKing Controls Specification: System - Heating and Hot Water with Priority given to Heating

Controls :

Suppliers Part No	Description	Qty
H21XL	Channel Plus twin channel volts free programmer (24 hour)	1
T630B1036	Honeywell Room Thermostat with change over contact	1
L641A1039	Honeywell Cylinder Thermostat (40-80°C)	1
V4043H1056	Honeywell 2 port motorised valve	2



IMPORTANT:

If alternative manufacturers components are to be used they must be to the same specification