

INSTALLATION INSTRUCTION

'BWARM' CONDENSATE DRAIN KIT – 70400425 (6000 units)

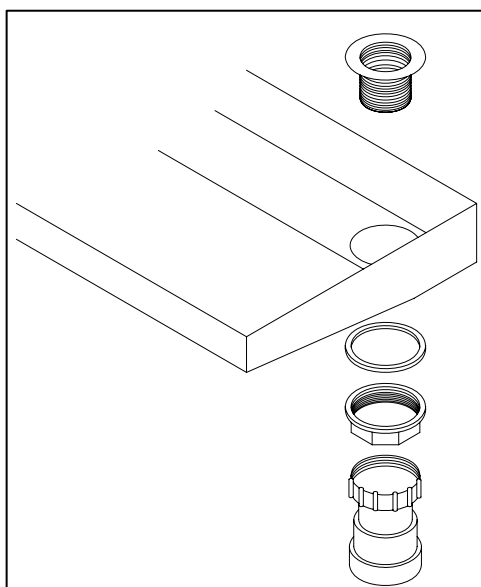
'BWARM' CONDENSATE DRAIN KIT – 70400419 (8000/9000i units)

'BWARM' CONDENSATE DRAIN KIT – 70400421 (12000/13000i units)

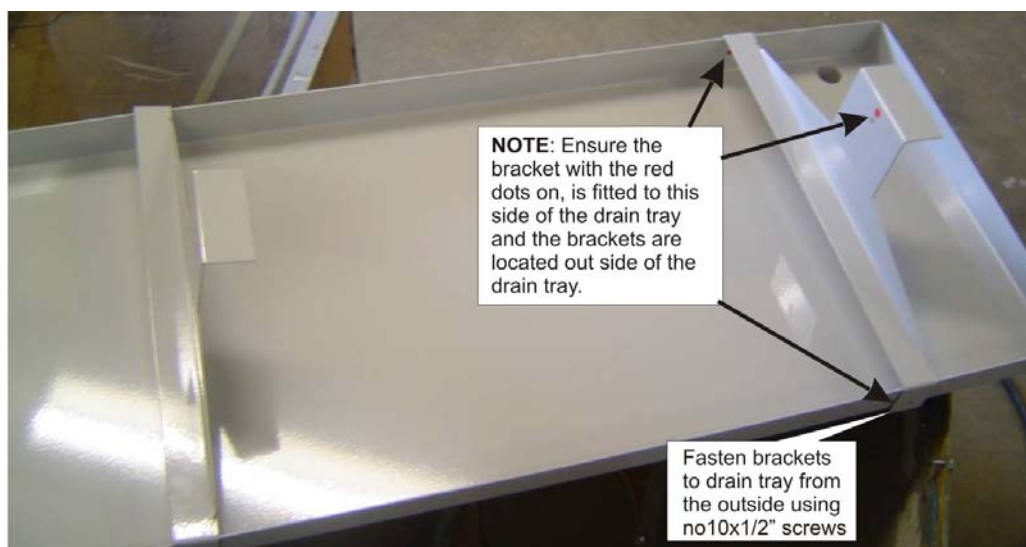
CONTENTS

DESCRIPTION	QUANTITY
DRAIN TRAY	1
BRACKET DRAINTRAY COMPRESSOR END (red dotted)	1
BRACKET DRAINTRAY COIL END	1
TAMPER PROOF SCREW no10 x 1/2"	4
SCREW M5 X 1/2"	2
CHROME WASTE DRAIN ADAPTER	1
40mm WASTE CONNECTOR	1

1. Fit the chrome waste adapter and the 40mm waste connector to the drain tray as shown in the diagram below.



2. Position the drain tray with the drain outlet to your right hand side then fasten draintray bracket with red dots to the right hand side nearest the drain outlet and the other bracket to the left hand side. When fastening the brackets make sure the brackets are to the outside of the drain tray and secure using screw no10x1/2 (see picture below) use the key provided with the unit.



3. Fasten the assembled draintray to the BWarm unit making sure the drain outlet is fitted to the right hand side. Secure to the BWarm hanger brackets using M5 x 1/2" screws. (see picture below)

