

INSTALLATION INSTRUCTION

'B WARM' ENCLOSURE KIT

70400407 (FLOOR MOUNTED UNITS)

70400408 (WALL MOUNTED UNITS)

Whilst this product is sufficiently robust for its purpose, it is not designed to be load-bearing, and should not be used to support excessively heavy items.

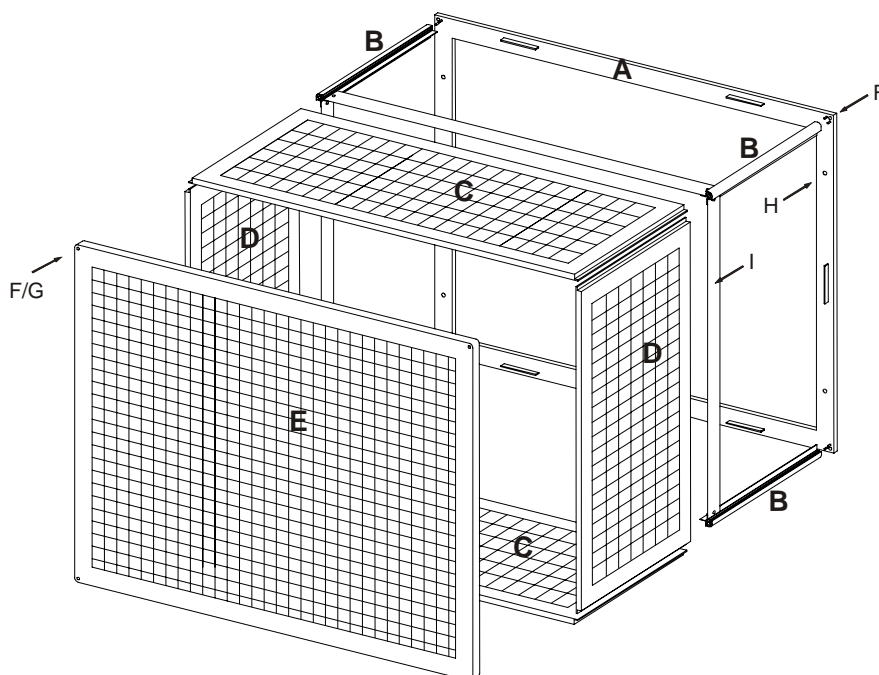
Where possible, this product should be installed at the same time as the 'B Warm' unit.

Where an enclosure is fitted retrospectively, the location of supply services will have been placed suitably to accommodate it, (following guidance in the 'B Warm' installation instructions). The enclosure(s) are designed to accommodate cable access / condensate drain pipe entry (See #1 and #2).

It is recommended that the enclosure be fitted after the unit has been installed.

ITEM	QUANTITY	DESCRIPTION
A	1	Wall Frame
B	4	Support Arm
C	2	Top Panel/Bottom Panel (bottom panel for wall mounted kits only)
D	2	Side Panel
E	1	Front Panel
F	8	M8 x 20mm Allen-Headed Bolt
G	4	Spring Washer
H	4	M8 Wall Anchor Bolts
I	3	Assembly / Disassembly Support Straps
	1	Allen Key
	6	Self-Tapping Screws

ISOLATE THE SYSTEM ELECTRICALLY PRIOR TO FITTING THIS KIT.

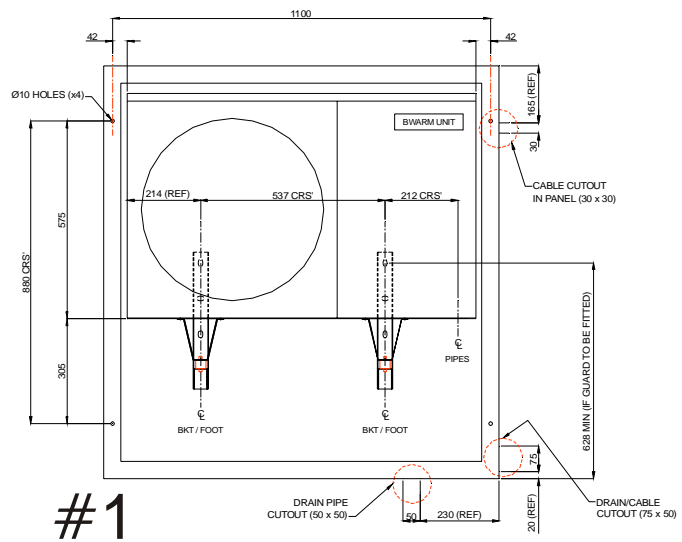


NOTE: Remove all parts from box & make sure the kit is complete before installation. On a wall mounted enclosure a bottom panel is included.

WALL MOUNTED ENCLOSURE

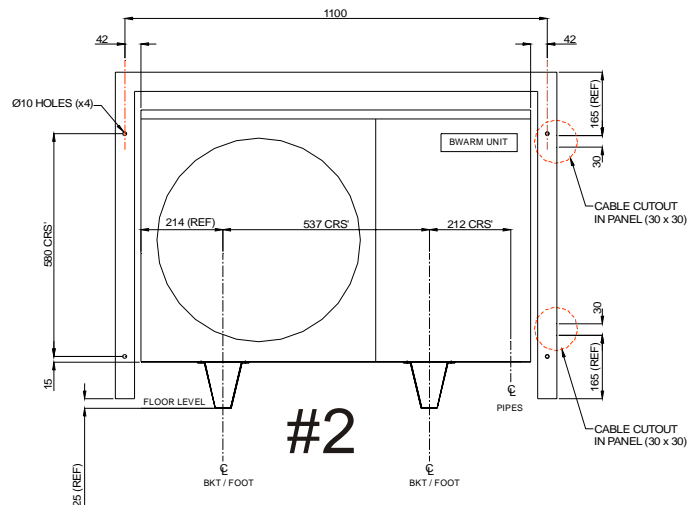
If you have a wall mounted enclosure you will be supplied with a base panel (similar top panel C). This enclosure has provision for drain pipe/cable entry. (see #1)

It is possible to assemble the complete enclosure at ground level and then locate onto the pre-inserted wall fixings. This facility can be beneficial in circumstances where high wall assembly is difficult.



FLOOR-MOUNTED ENCLOSURE

The floor mounted enclosure has provision for cable access on the RHS panel (see #2). It is recommended fitting the enclosure 25mm off the ground.



INSTALLATION ADVICE

If the wall surface to which the enclosure is being fixed is uneven, then the support arms (B) of the enclosure, when partially assembled, may not run parallel to each other. This may make the assembly and disassembly (for maintenance) of the enclosure difficult for an operative working alone.

As an aid to the single-operative 3 straps are provided that can be fixed, via 6 self-tapping screws to the front ends of the support arms (B) (linking the arms across the top and down both sides). These straps will neither add nor subtract from the product's effectiveness after installation, and need not be used, but are merely intended to aid assembly / disassembly of the enclosure.

1. Using four of the Allen-headed bolts (F) and Washers (G) connect the support arms (B) to the wall frame (A). The wall frame has two small protrusions in each of its four corners to help you locate the arms in the correct position.
2. Mark out the 4 enclosure frame mounting holes (see #1 and #2 for positions)
3. Drill holes in the wall in the locations marked using a 10mm bit.
4. Insert the wall anchor bolts into the holes drilled. (M8 anchor bolts provided)
5. Locate the wall frame (A) onto the anchor bolts & tighten.
6. Slide the top panel (C) and side panels (D) into the grooves on the support arms (B). (Slots are provided in the wall frame (A) into which the top and side panels should locate.) **Note:** On a wall mounted unit a bottom panel is supplied
7. Fix the front panel (E) to the support arms (B) using the remaining four Allen-headed bolts and spring washers (F/G).